



Ship motion

services spain s.l.



We promise you
the ultimate
ship motion experience.

What we deliver

No matter where you are.



Strong
engineering



High quality
manufacturing



Commitment
to excellence



Reliable and
high performing
products



Extended
service and
customer care

Ship Motion Services

With the establishment of Ship Motion Services Spain S.L. in Mallorca, we extend instant high-quality support, maintenance and spare parts services to owners of Ship Motion Group propulsion and steering products.

Our mission is to ensure the optimal performance and longevity of these systems, while also providing overall satisfaction and peace of mind for our valued customers.



Alignment services

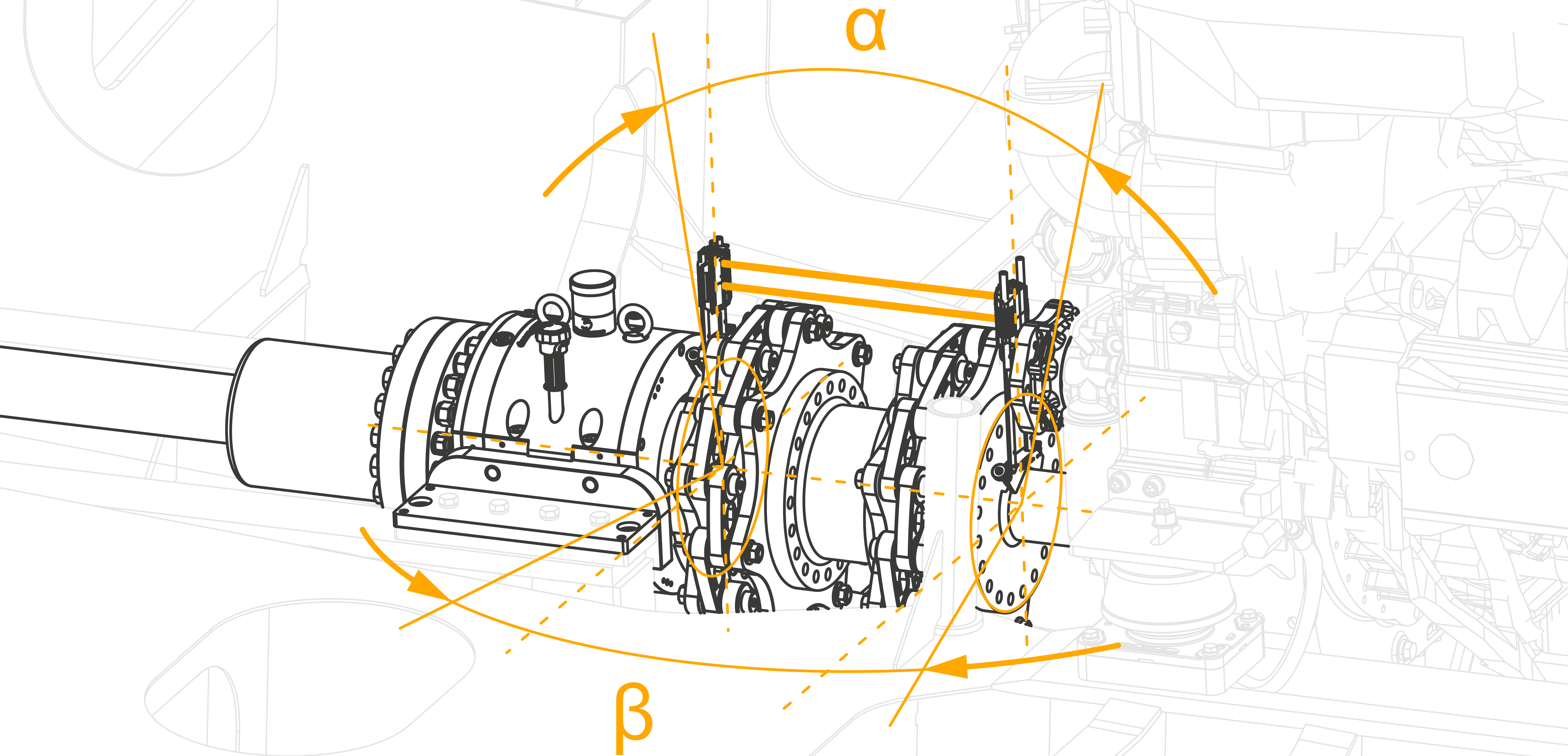
We extend our expertise to the broader yachting industry by offering alignment services.

Tailored to meet the specific needs of yacht owners and operators, ensuring that propulsion systems are precisely aligned for optimal performance and efficiency.



Propulsion Engine Alignment

Propulsion engines are aligned within a tolerated margin to the propulsion system.

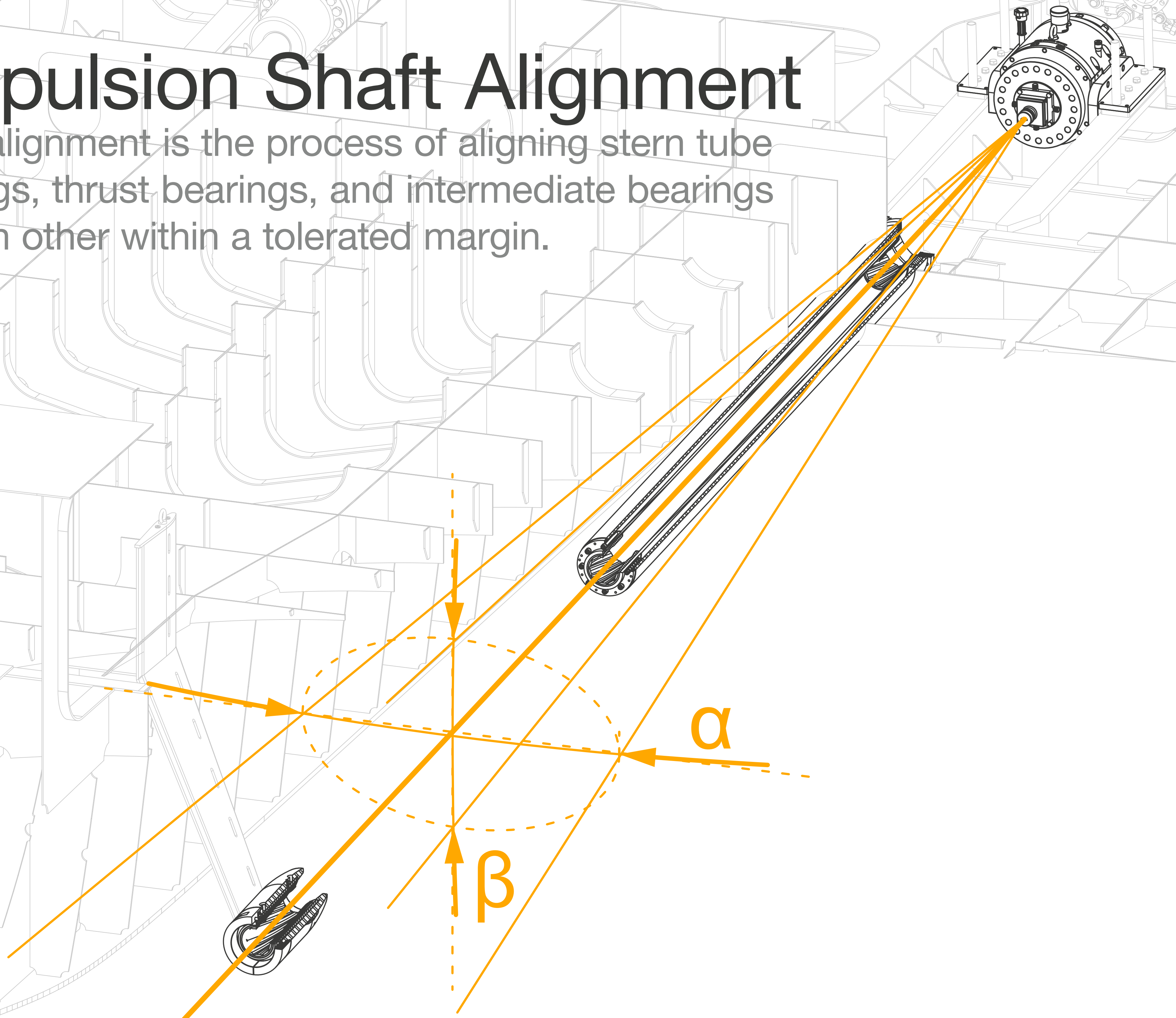


Propulsion Engine Alignment

- Misalignment occurs over time due to compression and aging of engine mounts.
- Yearly alignment checks and re-alignment of propulsion engines are required to avoid alignment-related failures.

Propulsion Shaft Alignment

Shaft alignment is the process of aligning stern tube bearings, thrust bearings, and intermediate bearings to each other within a tolerated margin.



Propulsion Shaft Alignment

- An absolute requirement for propulsion machinery before it's put into service, during class surveys and maintenance/modification works.
- Improves operational efficiency.
- Saves costs in the long term.
- Enhanced safety onboard.

Alignment benefits



Enhanced
Propulsion
Efficiency



Reduced Noise
and Vibration



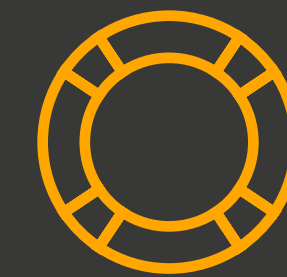
Extended
Lifespan



Lower
Maintenance
Costs



Minimized
Downtime



Safety



~~EUR 1150~~

EUR
850
per day¹

Introduction Price for our Alignment Services
valid until September 2024

Call +34 636 63 88 76

¹ Based on 8 working hours in Mallorca.
Including the use of standard laser equipment
and hand tools.





Contact us today

To learn more about our products and services and how we can assist you in achieving optimal steering and propulsion performance for your yacht.

+31 85 00 21 810
info@shipmotiongroup.com

shipmotiongroup.com